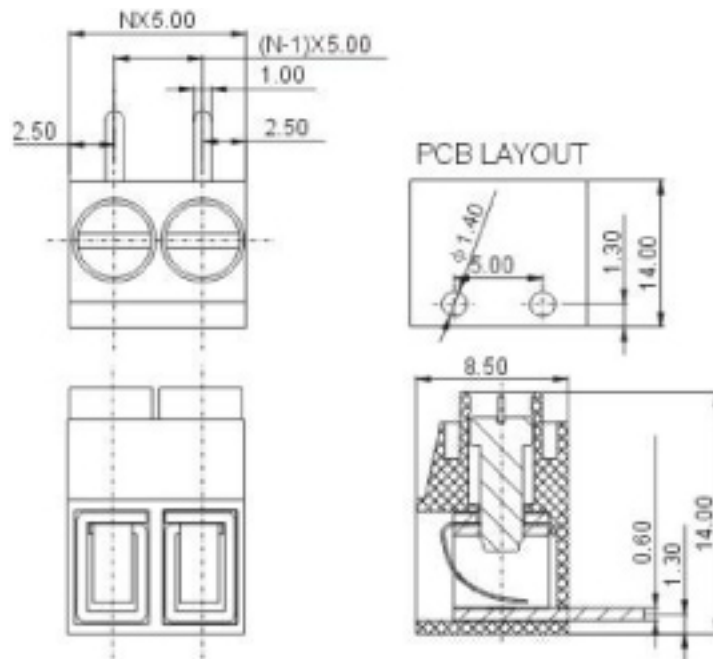


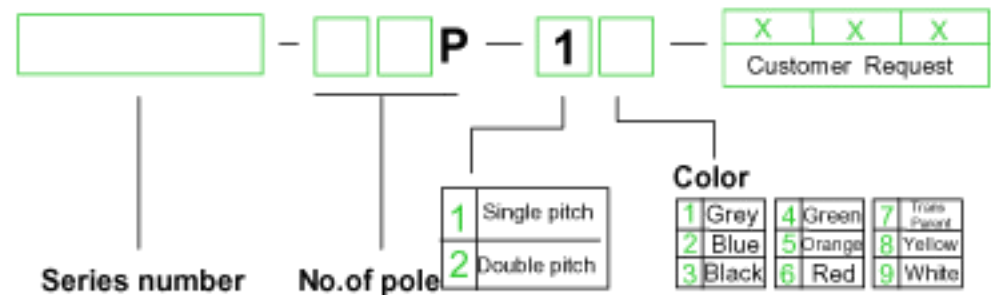


# China · Kang Wei electronics co., LTD Product Specification



<b>APPROVAL</b>		
<b>Electrical</b>		
Standard	UL	IEC
Rated voltage	300V	250V
Rated current	15A	22A
Wire range	22-12AWG	0.5-2.5mm <sup>2</sup>
Withstanding voltage	AC2000V/1Min	
<b>Mechanical</b>		
torque	0.4Nm(3.5Lb-In)	
Ambient temperature	-40℃~+105℃	
Strip length	6-7mm	
<b>Dimensions</b>		
pitch	5.0mm(.197")	
Poles	2P-12P	
<b>Material</b>		
Housing	PA66,UL94V-0	
Screws	M2.5,steel, Cr <sup>3+</sup> Znplated	
Pin header	Brass,Tin plated	
Wire guard	Phosphor bronze	

### HOW TO ORDER :



 mm (INCH)	 China · Kang Wei electronics co., LTD
 TOLERANCE DIRECTION	NAME <b>KV 167R-5.0</b>