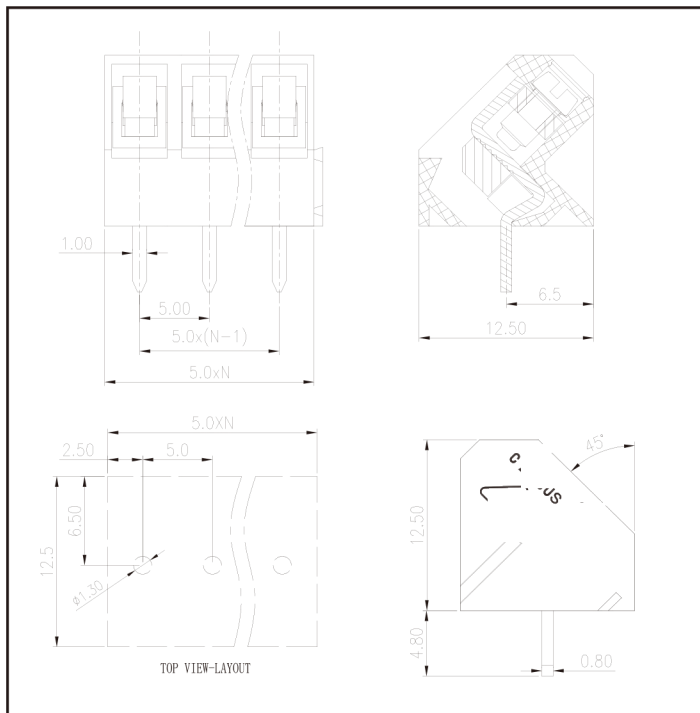


<b>APPROVAL</b>		
<b>Electrical</b>	<b>UL</b>	<b>IEC</b>
Standard	UL	IEC
Rated voltage	300V	250V
Rated current	15A	24A
Wire range	22-12AWG	2.5mm <sup>2</sup>
Withstanding voltage	AC2000V/1Min	
<b>Menchanical</b>		
Torque	0.4Nm(3.5Lb-In)	
Ambient temperature	-40°C~+105 °C	
Strip length	7mm	
<b>Dimensions</b>		
pitch	5.0mm(.197" )	
Poles	2P,3P-24P	
<b>Material</b>		
Housing	PA66,UL94V-0	
Screws	M2.5,Steel, Cr <sup>3+</sup> Znplated	
Pin header	Brass,Tin-plated	
Cage	Brass,Ni-plated	



### HOW TO ORDER :

