

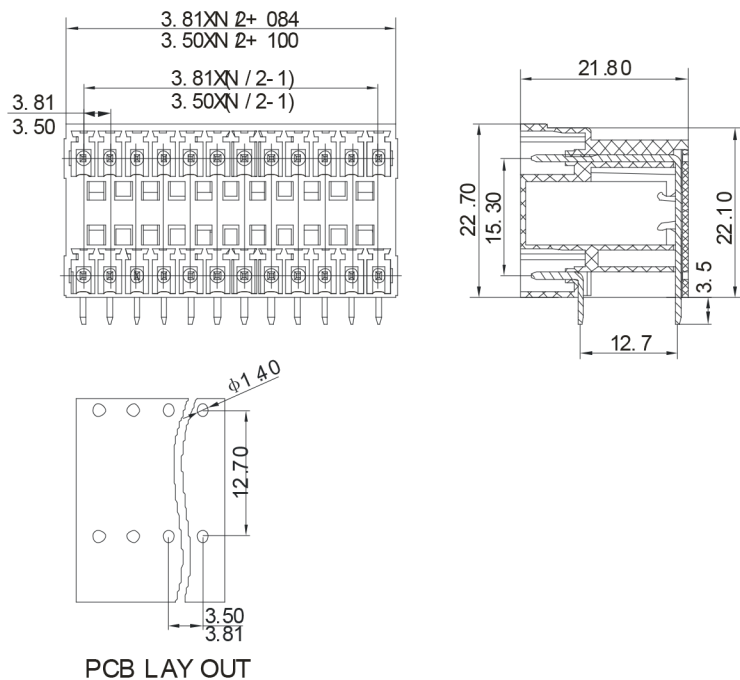
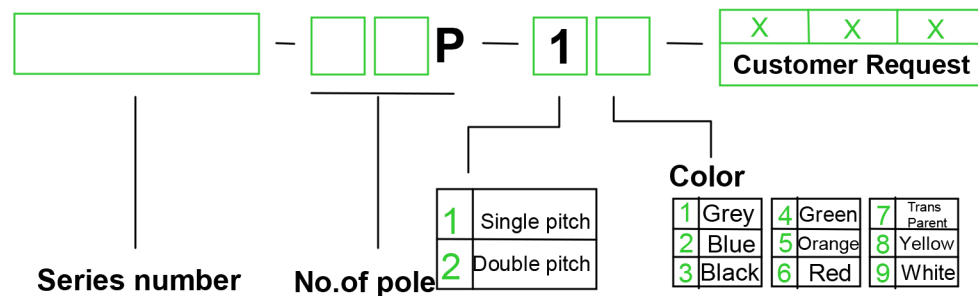


APPROVAL	 	
Electrical		
Standard	UL	IEC
Rated voltage	300V	250V
Rated current	8A	7A
Rated impulse voltage	2.5KV	
Mechanical		
Ambient temperature	-40°C~+105 °C	
Dimensions		
Pitch	3.5mm(.138") 3.81mm(.150")	
Poles	2*(2P-24P)	
Material		
Housing	PA66,UL94 V-0	
Pin header	Brass,Tin-plated	



HOW TO ORDER :



	 China · Kang Wei electronics co., LTD
	NAME 2EDGRH-3.5/3.81