
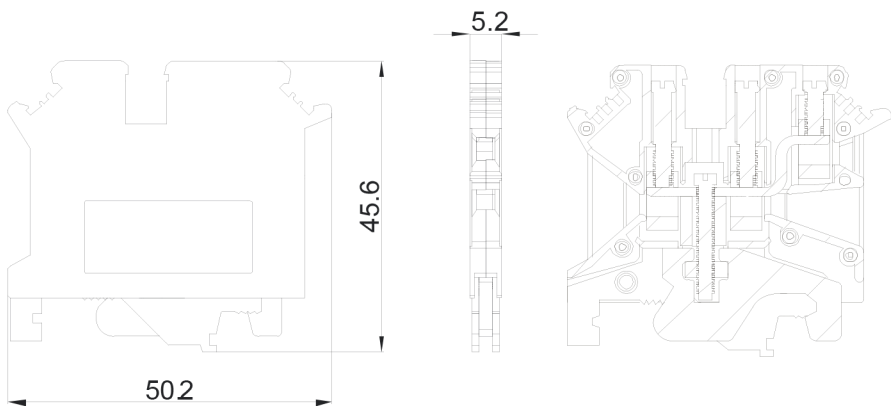
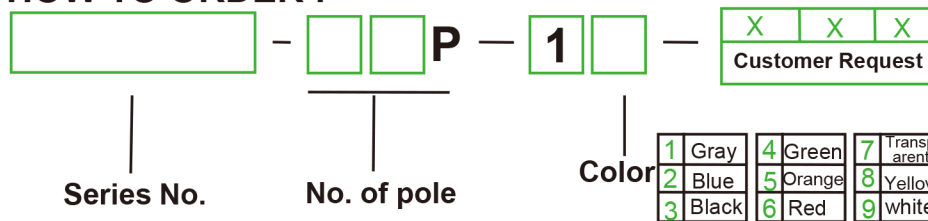


Approval		CE	
Electrical			
Standard	UL	IEC	
Rated voltage	-	-	
Rated current	-	-	
Wire size	24-14AWG	0.2-2.5mm ²	
T/W/End plate		5.2/50.5/-mm	
Height(NS35:7.5/NS35:15/NS32)		47/54.5/52mm	
Rated surge voltage/Contamination class		6KV/3	
Stripping length		8mm	
Terminal screw: thread/torque		M3/0.5N.m/4.5Lb-in	
Mounting screw: thread/torque		M3/0.5N.m/4.5Lb-in	
Internal cylindrical gage		A3	
Insulating material/Inflammability class		PAV-0	
Specification		Model	Pieces
(1)Ground Terminal block		PC 2.5-TW-PE	50
(2)Zack strip 		ZB 5	300



HOW TO ORDER :



 mm (INCH)	 China · Kang Wei electronics co., LTD
 THROANGLE PROJECTION	NAME UK2.5-TW-PE