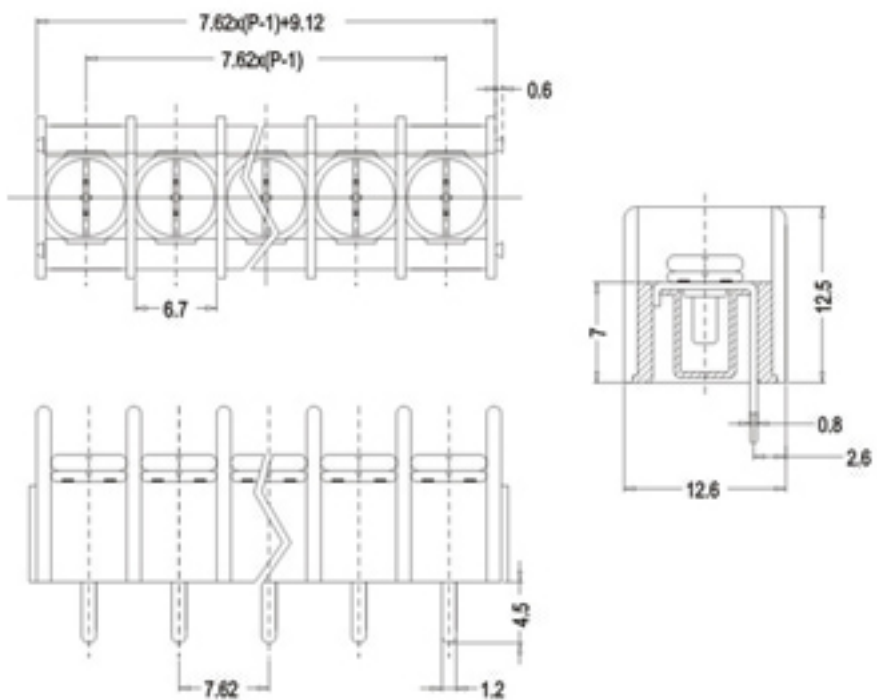




China · Kang Wei electronics co., LTD

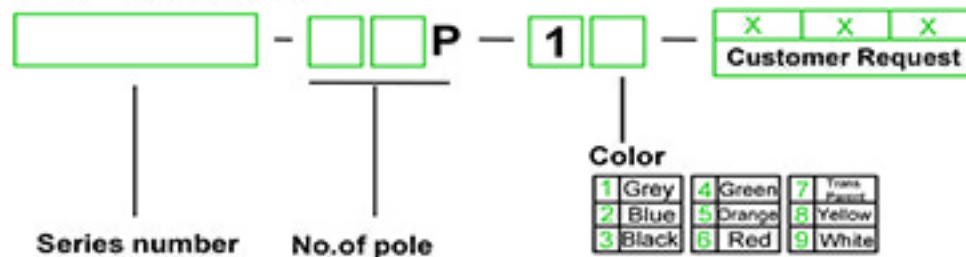


KV7620-7.62



APPROVAL	UL Certification Link	CE
	Electrical	
Standard	UL	IEC
Rated voltage	300V	450V
Rated current	20A	24A
Wire range	22-12AWG	2.5mm ²
Withstand Voltage	AC2000V/Min	
Insulation Resistance	500MQ/DC500V	
	Mechanical	
Max.Torque Value	0.5Nm 4.4lbin	
Ambient temperature	-40°C ~ +105°C	
	Dimensions	
Pitch	7.62mm	
Poles	2P-4P	
	Material	
Housing	PA66 UL 94V-0	
Terminal	Brass,0.8t,Tin-Plated	
Screws	SteelM3 Ni-Plated	

HOW TO ORDER :



	China · Kang Wei electronics co., LTD
	NAME KV7620-7.62