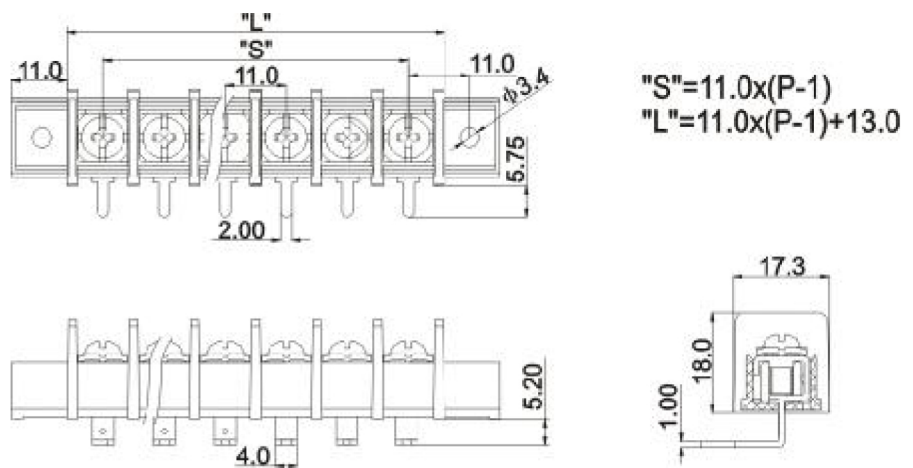
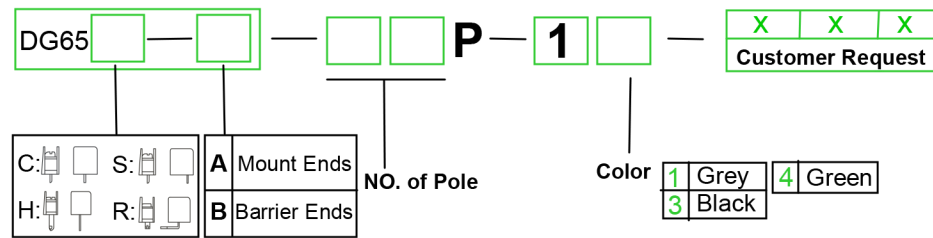




<b>Approval</b>		
<b>Electrical</b>	<b>UL</b>	<b>IEC</b>
<b>Standard</b>	UL	IEC
Rated voltage	300V	450V
Rated current	20A	32A
Wire range	22-12AWG	4.0mm <sup>2</sup>
With standing voltage	AC2000V/1Min	
Insulation Resistance	500MΩ /DC500V	
<b>Mechanical</b>		
Max. Torque Value	1.2N.m 10.6Lb.in	
Ambient temperature	-40℃~+105℃	
<b>Dimensions</b>		
Pitch	11.0mm(.433")	
Poles	2P-20P	
<b>Material</b>		
Housing	PA66,UL94V-0	
Terminal	Brass,1.0t,Tin Plated	
Screws	Steel,M4 Ni Plated	



### HOW TO ORDER :



<b>Poles</b>	2	3	4	5	6	7	8	9	10	11	12	13	14	15
<b>L(mm)</b>	24.00	35.00	46.00	57.00	68.00	79.00	90.00	101.00	112.00	123.00	134.00	145.00	156.00	167.00
<b>S(mm)</b>	11.00	22.00	33.00	44.00	55.00	66.00	77.00	88.00	99.00	110.00	121.00	132.00	143.00	154.00
<b>Poles</b>	16	17	18	19	20	21	22	23	24	25	26	27	28	
<b>L(mm)</b>	178.00	189.00	200.00	211.00	222.00	233.00	244.00	255.00	266.00	277.00	288.00			
<b>S(mm)</b>	165.00	176.00	187.00	198.00	209.00	220.00	231.00	242.00	253.00	264.00	275.00			

	China · Kang Wei electronics co., LTD
THROUGLE PROJECTION	<b>NAME</b> <b>65R-A</b>